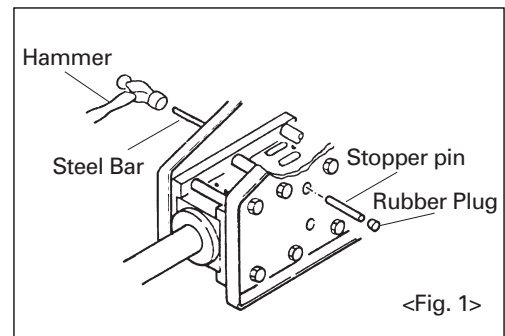


## Chapter 7 | TOOLS / RODS

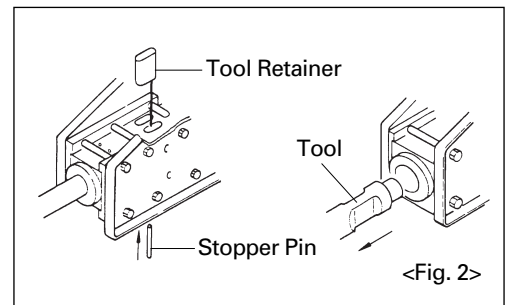
### REPLACEMENT OF TOOL

(1) Before removing tool, clean the tool pins and tool area.

Lay the breaker in the horizontal position and remove the rubber plug and stopper pin from the opposite side by using a hammer and a steel bar.

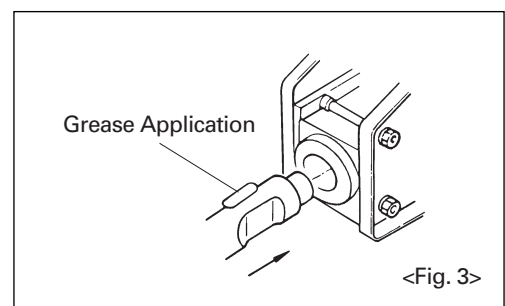


(2) Push the tool retainer up from the bottom with a removed stopper pin.



(3) To mount tool, firstly put a sufficient amount of grease into the tool's groove.

Perform the above procedures<Fig. 1, 2> in the reverse manner to dismount.



#### NOTE

- 1) When replacing the tool, remove burrs and swelling with a grinder or the like.
- 2) Regularly check the tool pins for cracks or breakage upon replacement of tool.